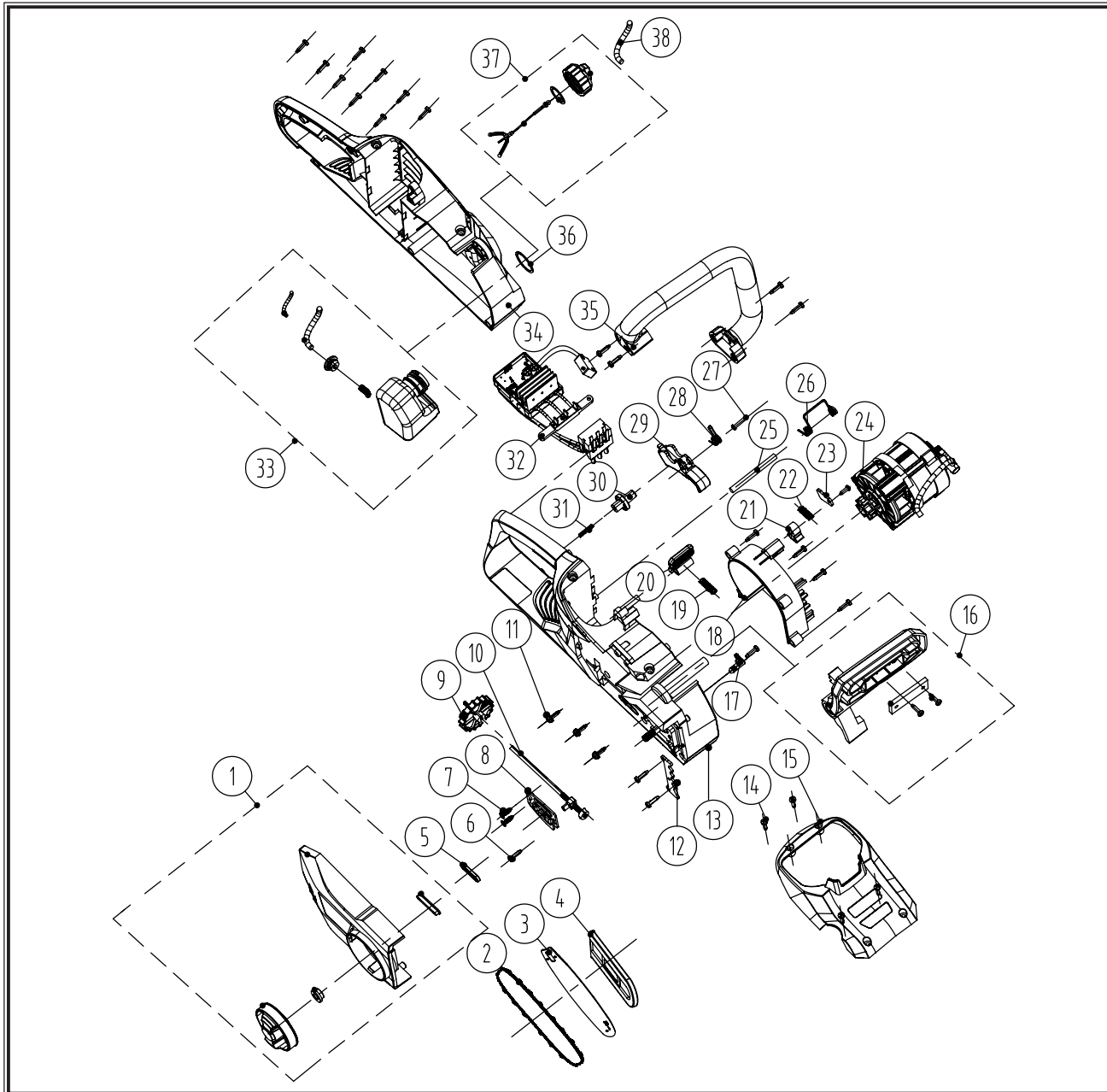


POS.	CODE	DESCRIPTION	QTY
1	A3506	ADJUSTING THE END CAP ASSEMBLY	1
2	A3507	CHAIN SAW	1
3	A3508	CHAIN BAR	1
4	A3509	BLADE GUARD	1
5	A3510	SEALING RING	1
6	A3511	SCREW	22
7	A3512	SCREW	2
8	A3513	INSULATION GASKET	1
9	A3514	KNOB	1
10	A3515	ADJUSTING SCREW ASSEMBLY	1
11	A3516	SCREW	3
12	A3517	BUFFER BOARD	1
13	A3518	RIGHT HOUSING	1
14	A3519	SCREW	4
15	A3520	COVER	1
16	A3521	PROTECTION BOARD COMPONENTS	1
17	A3522	OIL OUTLET SEAT ASSEMBLY	1
18	A3523	WIND SHIELD	1
19	A3524	BUTTON SPRING	1
20	A3525	DIAL	1
21	A3526	PROTECTIVE BOARD POSITIONING BLOCK	1
22	A3527	BRAKE LEVER SPRING	1
23	A3528	PRESSURE PLATE	1
24	A3529	MOTOR OIL PUMP ASSEMBLY	1
25	A3530	AXIS	1



POS.	CODE	DESCRIPTION	QTY
26	A3531	BATTERY BOX SPRING	1
27	A3532	SCREW	1
28	A3533	SWITCH TORSION SPRING	1
29	A3534	TRIGGER	1
30	A3535	ANTI-SELF-LOCKING AMMONIUM BUTTON	1
31	A3536	PUSH BUTTON SPRING	1
32	A3537	PCB	1
33	A3538	FUEL TANK COMPONENTS	1
34	A3539	LEFT HOUSING	1
35	A3540	HANDLE	1
36	A3541	RUBBER MAT	1
37	A3542	FUEL TANK COVER ASSEMBLY	1
38	A3543	TRANSPARENT TUBING	120mm